



DA42-VI



the definition of perfection

FACTS AND SPECIFICATIONS

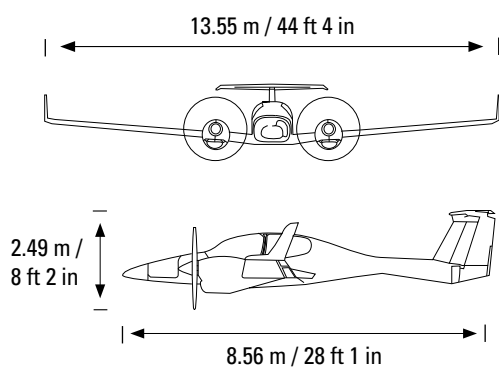
DA42-VI facts and specifications

Power plant

Engine	2x Austro Engine AE 300 turbocharged common-rail injected 2.0 liter diesel engine with 168 HP and EECU single lever control system
Propeller	2x MT propeller MTV-6-R-C/CF 190-69 3-blade constant speed propeller
Fuel grades	Jet A-1, Jet A, TS-1 (Russia, Ukraine), RT (Russia, Ukraine), No. 3 Jet Fuel (China), JP-8

Performance (max. mass)

Max. speed (16,000 ft, MCP) 1,760 kg TOW	365 km/h TAS	197 kts TAS
Cruise speed at 75% (16,000 ft)	326 km/h TAS	176 kts TAS
Stall speed, landing configuration	113 km/h CAS	61 kts CAS
Rate of climb (ISA SL) 1,760 kg TOW	7.9 m/s	1,550 ft/min
Single Engine Service Ceiling	5,486 m	18,000 ft
Range at 60% (2,000 ft, incl. auxiliary tank)	2,245 km	1,215 nm
Consumption at 60%	39.4 lt/hr	10.4 US gal/hr
Take-off ground roll (ISA SL), 1,760 kg TOW	280 m	919 ft
Landing ground roll (ISA SL)	340 m	1,115 ft
Max. operating altitude	5,486 m	18,000 ft
Max. demonstrated crosswind	46 km/h	25 kts



Dimensions / mass / loading

Seats	4	4
Empty weight	1,410 kg	3,109 lbs
Useful load	589 kg	1,299 lbs
Max. take off mass	1,999 kg	4,407 lbs
Fuel capacity total	289 lt	76.4 US gal
main tank	189 lt	50.0 US gal
auxiliary tank	100 lt	26.4 US gal

Diamond Aircraft Industries GmbH, Phone: +43 2622 26700, www.diamond-air.at

Specifications apply to standard equipped aircraft, if not otherwise stated. The above data are approximately specifications and may change without notice.

04/2015 S_30649E © 2015 Diamond Aircraft Industries GmbH